



LES RACCORDS SPÉCIALISÉS

**AEROCOM**

SPECIALTY FITTINGS INC



# **Aerospace Adapters**

## **For Ground Based Testing**

[www.aerocomfittings.com](http://www.aerocomfittings.com)



## Aerocom Interconnect Aerospace Conversion Adapters

Aerocom specializes in creating engineered interconnect solutions for the transfer of low to high pressure fluids between aircraft and ground support equipment. If you need a solution for fluid within a high technology industry it's likely that Aerocom has the products and expertise to meet your challenges.

### Aerocom Value Added

Manufacturing a commercial testing adapter to the correct standard is crucial so that it is identical to the flight part it is mating with. The Adapters & Fittings found in this catalogue are precision machined from SS316L material to assure unequalled quality and immediate solutions to your requirements. Adapters conform to all aerospace standards. Below is a list of popular thread designations.

- AS.33514 - 24° internal cone, external thread, flareless type
- EN.6123 - 24° internal cone, external thread, flareless type, extra fine thread pitch
- NAS1760 - Flareless acorn fitting
- AS4207 - External thread, beam seal male
- AS4209 - Internal thread, beam seal swivel female
- AS4395 - External thread, 37° flared
- AS4375 - 24° internal cone, external thread, flareless type
- BS5200 - BSP 60° cone seat & O-ring fitting
- J514 - 37° flared JIC fitting

Aerocom products are precisely manufactured, assembled and tested to assure unequalled quality and immediate response to your needs.

Our trained staff will guide you in your application to offer the best products that will fulfill your custom requirements and exceed your expectations in service and quality. At Aerocom, you can find specialty Military and Commercial Flexible Hose & Connectors for Aerospace (Ground Support Equipment) Flexible Teflon & Metallic Hoses for Steam and Chemical applications. Stainless Steel Hose Couplings, Tube & Pipe Adapters and much, much more...



## Table Of Contents

Flareless Swivel X Flared Male (SS316L)	1 - 2
Flareless Swivel X Male NPTF (SS316L)	3 - 4
Flareless Male X 37° Flared Male (SS316L)	5 - 6
Flareless Male X Male NPTF Adapters (SS316L)	7
Flareless Blanking Plugs (SS316L)	8
Flareless Swivel Blanking Caps (SS316L)	9
Flareless Male Adapters (SS316L)	10
Flareless Swivel Adapters (SS316L)	11
Flareless Male X Flareless Swivels (SS316L)	12 - 13

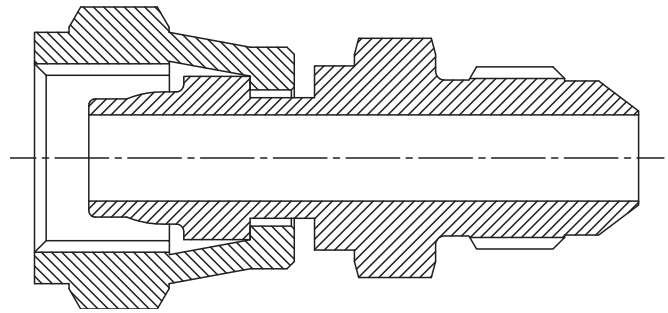
## MSFX-MJ

### Flareless Swivel X Flared Male

Conforming Standards: NAS1760 / AS8879 / AS4395 / AS1708

Mates With: AS33514 & AS1708

Material: SS316L



Part No.	UNJF/UNJ Thread Size	Dash Size	UNJF/UNJ Thread Size	Dash Size
MSFX-MJ-02-02	5/16"-24	02	5/16"-24	02
MSFX-MJ-02-04	5/16"-24	02	7/16"-20	04
MSFX-MJ-03-02	3/8"-24	03	5/16"-24	02
MSFX-MJ-03-04	3/8"-24	03	7/16"-20	04
MSFX-MJ-04-02	7/16"-20	04	5/16"-24	02
MSFX-MJ-04-04	7/16"-20	04	7/16"-20	04
MSFX-MJ-04-05	7/16"-20	04	1/2"-20	05
MSFX-MJ-04-06	7/16"-20	04	9/16"-18	06
MSFX-MJ-05-04	1/2"-20	05	7/16"-20	04
MSFX-MJ-05-06	1/2"-20	05	9/16"-18	06
MSFX-MJ-06-04	9/16"-18	06	7/16"-20	04
MSFX-MJ-06-06	9/16"-18	06	9/16"-18	06
MSFX-MJ-06-08	9/16"-18	06	3/4"-16	08
MSFX-MJ-08-06	3/4"-16	08	9/16"-18	06
MSFX-MJ-08-08	3/4"-16	08	3/4"-16	08
MSFX-MJ-08-10	3/4"-16	08	7/8"-14	10
MSFX-MJ-10-08	7/8"-14	10	3/4"-16	08
MSFX-MJ-10-10	7/8"-14	10	7/8"-14	10
MSFX-MJ-10-12	7/8"-14	10	1. 1/16"-12	12
MSFX-MJ-12-10	1. 1/16"-12	12	7/8"-14	10
MSFX-MJ-12-12	1. 1/16"-12	12	1. 1/16"-12	12
MSFX-MJ-12-16	1. 1/16"-12	12	1. 5/16"-12	16
MSFX-MJ-16-12	1. 5/16"-12	16	1. 1/16"-12	12
MSFX-MJ-16-16	1. 5/16"-12	16	1. 5/16"-12	16
MSFX-MJ-16-20	1. 5/16"-12	16	1. 5/8"-12	20
MSFX-MJ-20-16	1. 5/8"-12	20	1. 5/16"-12	16



# Aerospace Adapters

For Ground Based Testing

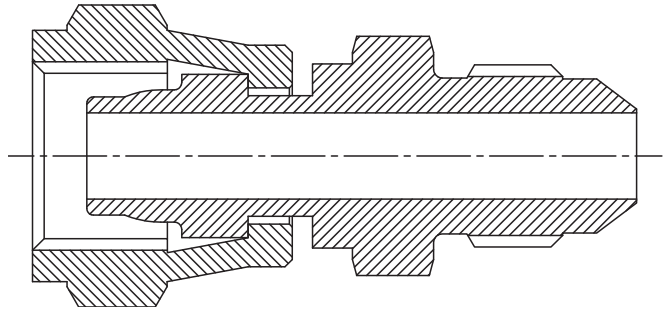
## MSFX-MJ

### Flareless Swivel X Flared Male

Conforming Standards: NAS1760 / AS8879 / AS4395 / AS1708

Mates With: AS33514 & AS1708

Material: SS316L



Part No.	UNJF/UNJ Thread Size	Dash Size	UNJF/UNJ Thread Size	Dash Size
MSFX-MJ-20-20	1. 5/8"-12	20	1. 5/8"-12	20
MSFX-MJ-20-24	1. 5/8"-12	20	1. 7/8"-12	24
MSFX-MJ-24-20	1. 7/8"-12	24	1. 5/8"-12	20
MSFX-MJ-24-24	1. 7/8"-12	24	1. 7/8"-12	24
MSFX-MJ-24-32	1. 7/8"-12	24	2. 1/2"-12	32
MSFX-MJ-32-24	2. 1/2"-12	32	1. 7/8"-12	24
MSFX-MJ-32-32	2. 1/2"-12	32	2. 1/2"-12	32



# Aerospace Adapters

For Ground Based Testing

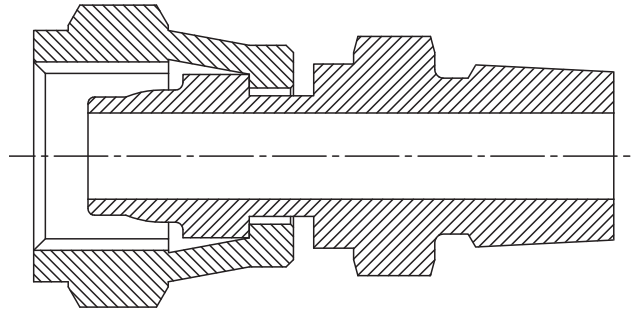
## MSFX-MP

### Flareless Swivel X Male NPTF

Conforming Standards: NAS1760 / AS8879 / AS4395 / AS1708

Mates With: AS33514 & AS1708

Material: SS316L



Part No.	UNJF/UNJ Thread Size	Dash Size	NPTF Thread Size	Dash Size
MSFX-MP-02-02	5/16"-24	02	1/8"-27	02
MSFX-MP-02-04	5/16"-24	02	1/4"-18	04
MSFX-MP-03-02	3/8"-24	03	1/8"-27	02
MSFX-MP-03-04	3/8"-24	03	1/4"-18	04
MSFX-MP-04-02	7/16"-20	04	1/8"-27	02
MSFX-MP-04-04	7/16"-20	04	1/4"-18	04
MSFX-MP-04-06	7/16"-20	04	3/8"-18	06
MSFX-MP-05-04	1/2"-20	05	1/4"-18	04
MSFX-MP-05-06	1/2"-20	05	3/8"-18	06
MSFX-MP-06-04	9/16"-18	06	1/4"-18	04
MSFX-MP-06-06	9/16"-18	06	3/8"-18	06
MSFX-MP-06-08	9/16"-18	06	1/2"-14	08
MSFX-MP-08-06	3/4"-16	08	3/8"-18	06
MSFX-MP-08-08	3/4"-16	08	1/2"-14	08
MSFX-MP-10-08	7/8"-14	10	1/2"-14	08
MSFX-MP-10-12	7/8"-14	10	3/4"-14	12
MSFX-MP-12-12	1. 1/16"-12	12	3/4"-14	12
MSFX-MP-12-16	1. 1/16"-12	12	1"-11. 1/2	16
MSFX-MP-16-12	1. 5/16"-12	16	3/4"-14	12
MSFX-MP-16-16	1. 5/16"-12	16	1"-11. 1/2	16
MSFX-MP-16-20	1. 5/16"-12	16	1. 1/4"-11. 1/2	20
MSFX-MP-20-16	1. 5/8"-12	20	1"-11. 1/2	16



# Aerospace Adapters

For Ground Based Testing

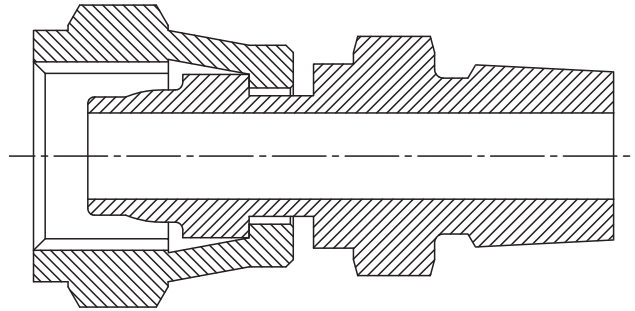
## MSFX-MP

### Flareless Swivel X Male NPTF

Conforming Standards: NAS1760 / AS8879 / AS4395 / AS1708

Mates With: AS33514 & AS1708

Material: SS316L



Part No.	UNJF/UNJ Thread Size	Dash Size	NPTF Thread Size	Dash Size
MSFX-MP-20-20	1. 5/8"-12	20	1. 1/4"-11. 1/2	20
MSFX-MP-20-24	1. 5/8"-12	20	1. 1/2"-11. 1/2	24
MSFX-MP-24-20	1. 7/8"-12	24	1. 1/4"-11. 1/2	20
MSFX-MP-24-24	1. 7/8"-12	24	1. 1/2"-11. 1/2	24
MSFX-MP-24-32	1. 7/8"-12	24	2"-11. 1/2	32
MSFX-MP-32-24	2. 1/2"-12	32	1. 1/2"-11. 1/2	24
MSFX-MP-32-32	2. 1/2"-12	32	2"-11. 1/2	32



# Aerospace Adapters

For Ground Based Testing

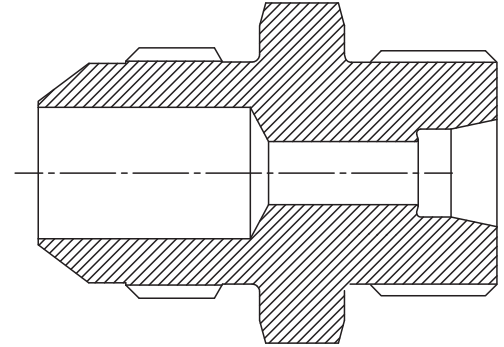
## MS21900 (MS-MJ)

### Flareless Male X 37° Flared Male

Conforming Standards: AS33514 / AS8879 / AS4395 / AS1708

Mates With: NAS1760 & AS1708

Material: SS316L



Part No.	UNJF/UNJ Thread Size	Dash Size	UNJF/UNJ Thread Size	Dash Size
MS-MJ-02-02	5/16"-24	02	5/16"-24	02
MS-MJ-02-04	5/16"-24	02	7/16"-20	04
MS-MJ-03-02	3/8"-24	03	5/16"-24	02
MS-MJ-03-04	3/8"-24	03	7/16"-20	04
MS-MJ-04-02	7/16"-20	04	5/16"-24	02
MS-MJ-04-04	7/16"-20	04	7/16"-20	04
MS-MJ-04-05	7/16"-20	04	1/2"-20	05
MS-MJ-04-06	7/16"-20	04	9/16"-18	06
MS-MJ-05-04	1/2"-20	05	7/16"-20	04
MS-MJ-05-06	1/2"-20	05	9/16"-18	06
MS-MJ-06-04	9/16"-18	06	7/16"-20	04
MS-MJ-06-06	9/16"-18	06	9/16"-18	06
MS-MJ-06-08	9/16"-18	06	3/4"-16	08
MS-MJ-08-06	3/4"-16	08	9/16"-18	06
MS-MJ-08-08	3/4"-16	08	3/4"-16	08
MS-MJ-08-10	3/4"-16	08	7/8"-14	10
MS-MJ-10-08	7/8"-14	10	3/4"-16	08
MS-MJ-10-10	7/8"-14	10	7/8"-14	10
MS-MJ-10-12	7/8"-14	10	1. 1/16"-12	12
MS-MJ-12-10	1. 1/16"-12	12	7/8"-14	10
MS-MJ-12-12	1. 1/16"-12	12	1. 1/16"-12	12
MS-MJ-12-16	1. 1/16"-12	12	1. 5/16"-12	16
MS-MJ-16-12	1. 5/16"-12	16	1. 1/16"-12	12
MS-MJ-16-16	1. 5/16"-12	16	1. 5/16"-12	16
MS-MJ-16-20	1. 5/16"-12	16	1. 5/8"-12	20
MS-MJ-20-16	1. 5/8"-12	20	1. 5/16"-12	16



# Aerospace Adapters

For Ground Based Testing

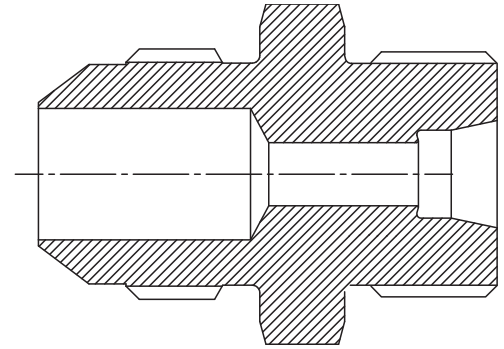
## MS21900 (MS-MJ)

### Flareless Male X 37° Flared Male

Conforming Standards: AS33514 / AS8879 / AS4395 / AS1708

Mates With: NAS1760 & AS1708

Material: SS316L

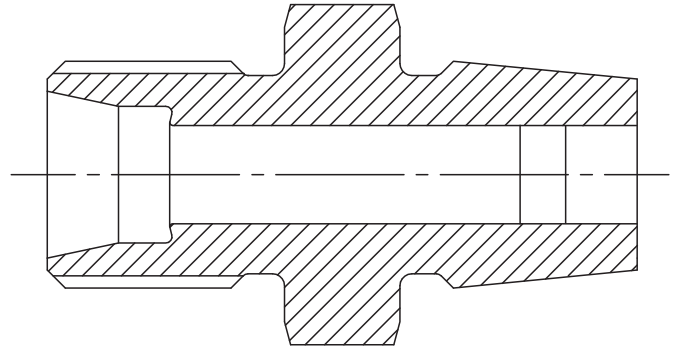


Part No.	UNJF/UNJ Thread Size	Dash Size	UNJF/UNJ Thread Size	Dash Size
MS-MJ-20-20	1. 5/8"-12	20	1. 5/8"-12	20
MS-MJ-20-24	1. 5/8"-12	20	1. 7/8"-12	24
MS-MJ-24-20	1. 7/8"-12	24	1. 5/8"-12	20
MS-MJ-24-24	1. 7/8"-12	24	1. 7/8"-12	24
MS-MJ-24-32	1. 7/8"-12	24	2. 1/2"-12	32
MS-MJ-32-24	2. 1/2"-12	32	1. 7/8"-12	24
MS-MJ-32-32	2. 1/2"-12	32	2. 1/2"-12	32



## MS21902/MS21916 Flareless Male X Male NPTF Adaptor

Conforming Standards: AS33514 / AS8879  
 Mates With: NAS1760  
 Material: SS316L

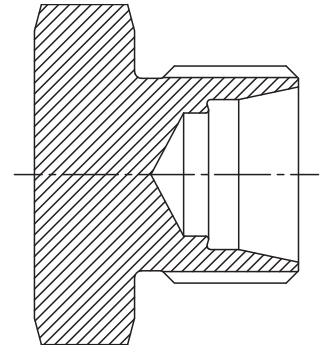


Part No.	UNJF/UNJ Thread Size	Dash Size	NPTF Thread Size	Dash Size
MS-MP-02	5/16"-24	02	1/8"-27	02
MS-MP-03-02	3/8"-24	03	1/8"-27	02
MS-MP-04	7/16"-20	04	1/4"-18	04
MS-MP-05-04	1/2"-20	05	1/4"-18	04
MS-MP-06-04	9/16"-18	06	1/4"-18	04
MS-MP-06	9/16"-18	06	3/8"-18	06
MS-MP-08-06	3/4"-16	08	3/8"-18	06
MS-MP-08	3/4"-16	08	1/2"-14	08
MS-MP-10-08	7/8"-14	10	1/2"-14	08
MS-MP-12	1. 1/16"-12	12	3/4"-14	12
MS-MP-16-12	1. 5/16"-12	16	3/4"-14	12
MS-MP-16	1. 5/16"-12	16	1"-11. 1/2	16
MS-MP-20-16	1. 5/8"-12	20	1"-11. 1/2	16
MS-MP-20	1. 5/8"-12	20	1. 1/4"-11. 1/2	20
MS-MP-24-20	1. 7/8"-12	24	1. 1/4"-11. 1/2	20
MS-MP-24	1. 7/8"-12	24	1. 1/2"-11. 1/2	24
MS-MP-32-24	2. 1/2"-12	32	1. 1/2"-11. 1/2	24
MS-MP-32	2. 1/2"-12	32	2"-11. 1/2	32



# Aerospace Adapters

For Ground Based Testing



## MS21913

### Flareless Blanking Plug

Conforming Standards: AS33514 / AS8879

Mates With: NAS1760

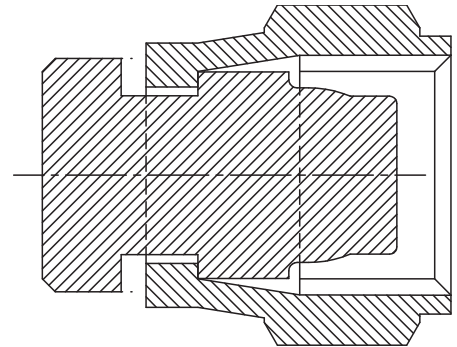
Material: SS316L

Part No.	UNJF/UNJ Thread Size	Dash Size
MS21913-02	5/16"-24	2
MS21913-03	3/8"-24	3
MS21913-04	7/16"-20	4
MS21913-05	1/2"-20	5
MS21913-06	9/16"-18	6
MS21913-08	3/4"-16	8
MS21913-10	7/8"-14	10
MS21913-12	1. 1/16"-12	12
MS21913-16	1. 5/16"-12	16
MS21913-20	1. 5/8"-12	20
MS21913-24	1. 7/8"-12	24
MS21913-32	2. 1/2"-12	32



# Aerospace Adapters

For Ground Based Testing



## MS21914

### Flareless Blanking Cap

Conforming Standards: NAS1760 / AS8879

Mates With: AS33514

Material: SS316L

Part No.	UNJF/UNJ Thread Size	Dash Size
MS21914-02	5/16"-24	2
MS21914-03	3/8"-24	3
MS21914-04	7/16"-20	4
MS21914-05	1/2"-20	5
MS21914-06	9/16"-18	6
MS21914-08	3/4"-16	8
MS21914-10	7/8"-14	10
MS21914-12	1. 1/16"-12	12
MS21914-16	1. 5/16"-12	16
MS21914-20	1. 5/8"-12	20
MS21914-24	1. 7/8"-12	24
MS21914-32	2. 1/2"-12	32

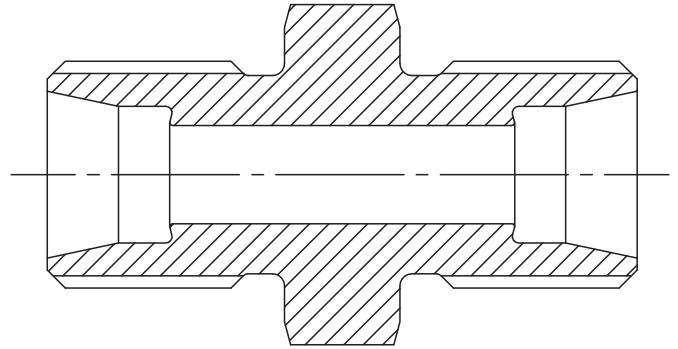


# Aerospace Adapters

For Ground Based Testing

## MS21902/MS21916 (MS - MS) Flareless Male Adaptor - Union

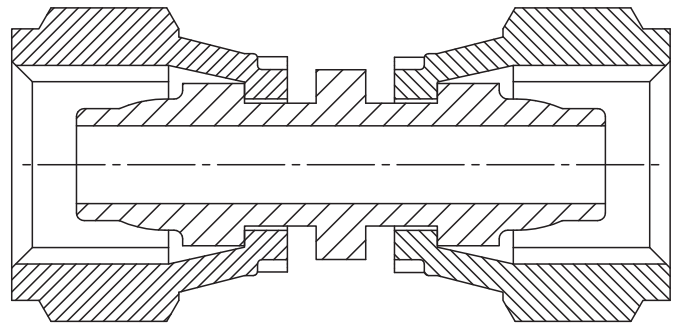
Conforming Standards: AS33514 / AS8879  
Mates With: NAS1760  
Material: SS316L



Part No.	UNJF/UNJ Thread Size	Dash Size	UNJF/UNJ Thread Size	Dash Size
MS21902-02	5/16"-24	02	5/16"-24	02
MS21916-03-02	3/8"-24	03	5/16"-24	02
MS21902-03	3/8"-24	03	3/8"-24	03
MS21916-04-03	7/16"-20	04	3/8"-24	03
MS21902-04	7/16"-20	04	7/16"-20	04
MS21916-05-04	1/2"-20	05	7/16"-20	04
MS21902-05	1/2"-20	05	1/2"-20	05
MS21916-06-04	9/16"-18	06	7/16"-20	04
MS21916-06-05	9/16"-18	06	1/2"-20	05
MS21902-06	9/16"-18	06	9/16"-18	06
MS21916-08-06	3/4"-16	08	9/16"-18	06
MS21902-08	3/4"-16	08	3/4"-16	08
MS21916-10-08	7/8"-14	10	3/4"-16	08
MS21902-10	7/8"-14	10	7/8"-14	10
MS21916-12-10	1. 1/16"-12	12	7/8"-14	10
MS21902-12	1. 1/16"-12	12	1. 1/16"-12	12
MS21916-16-12	1. 5/16"-12	16	1. 1/16"-12	12
MS21902-16	1. 5/16"-12	16	1. 5/16"-12	16
MS21916-20-16	1. 5/8"-12	20	1. 5/16"-12	16
MS21902-20	1. 5/8"-12	20	1. 5/8"-12	20
MS21916-24-20	1. 7/8"-12	24	1. 5/8"-12	20
MS21902-24	1. 7/8"-12	24	1. 7/8"-12	24
MS21916-32-24	2. 1/2"-12	32	1. 7/8"-12	24
MS21902-32	2. 1/2"-12	32	2. 1/2"-12	32

## MSFX - MSFX Flareless Swivel Adapter - Union

Conforming Standards: NAS1760 / AS8879  
Mates With: A833514  
Material: SS316L



Part No.	UNJF/UNJ Thread Size	Dash Size	UNJF/UNJ Thread Size	Dash Size
MSFX-UN-02	5/16"-24	2	5/16"-24	2
MSFX-UN-03-02	3/8"-24	3	5/16"-24	2
MSFX-UN-03	3/8"-24	3	3/8"-24	3
MSFX-UN-04-03	7/16"-20	4	3/8"-24	3
MSFX-UN-04	7/16"-20	4	7/16"-20	4
MSFX-UN-05-04	1/2"-20	5	7/16"-20	4
MSFX-UN-05	1/2"-20	5	1/2"-20	5
MSFX-UN-06-04	9/16"-18	6	7/16"-20	4
MSFX-UN-06-05	9/16"-18	6	1/2"-20	5
MSFX-UN-06	9/16"-18	6	9/16"-18	6
MSFX-UN-08-06	3/4"-16	8	9/16"-18	6
MSFX-UN-08	3/4"-16	8	3/4"-16	8
MSFX-UN-10-08	7/8"-14	10	3/4"-16	8
MSFX-UN-10	7/8"-14	10	7/8"-14	10
MSFX-UN-12-10	1. 1/16"-12	12	7/8"-14	10
MSFX-UN-12	1. 1/16"-12	12	1. 1/16"-12	12
MSFX-UN-16-12	1. 5/16"-12	16	1. 1/16"-12	12
MSFX-UN-16	1. 5/16"-12	16	1. 5/16"-12	16
MSFX-UN-20-16	1. 5/8"-12	20	1. 5/16"-12	16
MSFX-UN-20	1. 5/8"-12	20	1. 5/8"-12	20
MSFX-UN-24-20	1. 7/8"-12	24	1. 5/8"-12	20
MSFX-UN-24	1. 7/8"-12	24	1. 7/8"-12	24
MSFX-UN-32-20	2. 1/2"-12	32	1. 7/8"-12	24
MSFX-UN-32	2. 1/2"-12	32	2. 1/2"-12	32

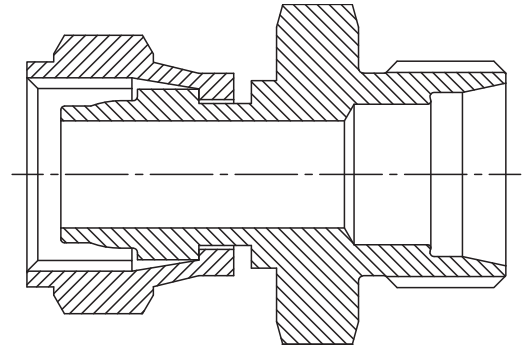
## MS-MSFX

### Flareless Male X Flareless Swivel

Conforming Standards: AS33514 / AS8879

Mates With: NAS1760 & AS33514

Material: SS316L



Part No.	UNJF/UNJ Thread Size	Dash Size	UNJF/UNJ Thread Size	Dash Size
MS-MSFX-02	5/16"-24	2	5/16"-24	2
MS-MSFX-03-02	3/8"-24	3	5/16"-24	2
MS-MSFX-03	3/8"-24	3	3/8"-24	3
MS-MSFX-03-04	3/8"-24	3	7/16"-20	4
MS-MSFX-04-03	7/16"-20	4	3/8"-24	3
MS-MSFX-04	7/16"-20	4	7/16"-20	4
MS-MSFX-04-05	7/16"-20	4	1/2"-20	5
MS-MSFX-04-06	7/16"-20	4	9/16"-18	6
MS-MSFX-05-04	1/2"-20	5	7/16"-20	4
MS-MSFX-05	1/2"-20	5	1/2"-20	5
MS-MSFX-06-04	9/16"-18	6	7/16"-20	4
MS-MSFX-06-05	9/16"-18	6	1/2"-20	5
MS-MSFX-06	9/16"-18	6	9/16"-18	6
MS-MSFX-06-08	9/16"-18	6	3/4"-16	8
MS-MSFX-08-04	3/4"-16	8	7/16"-20	4
MS-MSFX-08-06	3/4"-16	8	9/16"-18	6
MS-MSFX-08	3/4"-16	8	3/4"-16	8
MS-MSFX-08-10	3/4"-16	8	7/8"-14	10
MS-MSFX-08-12	3/4"-16	8	1. 1/16"-12	12
MS-MSFX-10	7/8"-14	10	7/8"-14	10
MS-MSFX-10-06	7/8"-14	10	9/16"-18	6
MS-MSFX-10-08	7/8"-14	10	3/4"-16	8
MS-MSFX-12	1. 1/16"-12	12	1. 1/16"-12	12
MS-MSFX-12-08	1. 1/16"-12	12	3/4"-16	8
MS-MSFX-12-10	1. 1/16"-12	12	7/8"-14	10
MS-MSFX-12-16	1. 1/16"-12	12	1. 5/16"-12	16



# Aerospace Adapters

For Ground Based Testing

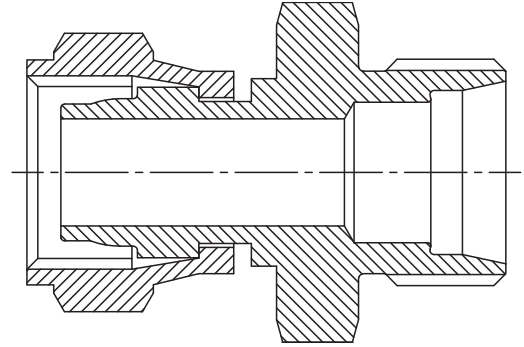
## MS-MSFX

### Flareless Male X Flareless Swivel

Conforming Standards: AS33514 / AS8879

Mates With: NAS1760 & AS33514

Material: SS316L



Part No.	UNJF/UNJ Thread Size	Dash Size	UNJF/UNJ Thread Size	Dash Size
MS-MSFX-16	1. 5/16"-12	16	1. 5/16"-12	16
MS-MSFX-16-12	1. 5/16"-12	16	1. 1/16"-12	12
MS-MSFX-16-20	1. 5/16"-12	16	1. 5/8"-12	20
MS-MSFX-20	1. 5/8"-12	20	1. 5/8"-12	20
MS-MSFX-20-16	1. 5/8"-12	20	1. 5/16"-12	16
MS-MSFX-20-24	1. 5/8"-12	20	1. 7/8"-12	24
MS-MSFX-24	1. 7/8"-12	24	1. 7/8"-12	24
MS-MSFX-24-20	1. 7/8"-12	24	1. 5/8"-12	20
MS-MSFX-32	2. 1/2"-12	32	2. 1/2"-12	32
MS-MSFX-24-32	1. 7/8"-12	24	2. 1/2"-12	32
MS-MSFX-32-24	2. 1/2"-12	32	1. 7/8"-12	24

# ***AEROCOM ENGINEERED SOLUTIONS***

Aerocom specializes in creating engineered interconnect solutions for the transfer of low to high pressure fluids between aircraft and ground support equipment. If you need a solution for fluid within a high technology industry it's likely that Aerocom has the products and expertise to meet your challenges.



- Aerospace Adapters For Ground Based Testing
- Interconnect Conversion Fittings
- Precision Machined 316SS Hose Couplings
- 316SS Hydraulic Tube & Pipe Adapters
- Aeronautical Fluid Connectors
- PTFE High Pressure Hose Assemblies

## ***AEROSPACE ADAPTERS*** **FOR GROUND BASED TESTING**

- Portable Hydraulic Testing Units
- Central System Hydraulic Power Units
- Hydraulic Filler & Pressurization Units
- Flushing Carts
- Hydraulic Fluid Purifiers
- Portable Fluid Dispensers

## ***AEROCOM QUALITY SYSTEM***



- ISO 9001 : 2015
- CSA B51, B31.1, B31.3
- ASME Section VIII Division 1, Boiler & Pressure Vessel Code
- CRN Certifications Available



[www.aerocomfittings.com](http://www.aerocomfittings.com)

[sales@aerocomfittings.com](mailto:sales@aerocomfittings.com) | 514-695-8883